

M.I.L. PAC 385

Relocatable Rapid Deployment Microwave Transceiver



M.I.L. PAC 385 is a fully portable microwave transceiver which provides high probability of detection and low false alarm rate in the outdoor environment. State-of-the-art circuitry, a precise detection pattern, and unmatched ease of setup make M.I.L. PAC 385 ideal for protection of VIP's or critical mobile assets such as trucks or aircraft. M.I.L. PAC 385 can be used at gates, portals or roadway crossings or to establish a full perimeter of volumetric detection.

A patented Range Cut-Off (RCO) Circuit positively rejects all microwave targets beyond a preselected range. This unique capability makes M.I.L. PAC 385 immune to alarms from any object outside the RCO distance, even very large microwave targets such as semitrailers, trees, trains or overhead doors.

M.I.L. PAC 385 is also equipped with a patented Zero-Range Suppression (ZRS) Circuit which reduces the amplitude of any microwave target which is at very close range. This circuit dramatically reduces nuisance alarms from rain, vibration, birds and windblown objects. Neither the RCO nor the ZRS circuit affects detection of human intruders within the detection pattern.

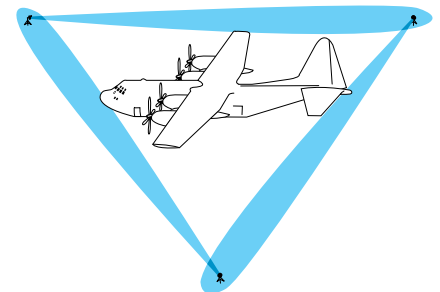
M.I.L. PAC 385 is mounted on a heavy duty tripod which can be secured with sandbags or waterbags or staked into the ground to withstand severe wind-loading. The transceiver is quickly adjusted and powered via a rear panel military style connector with the MP01 Monitor Pac which is supplied with each transceiver. The MP01 displays the effect of sensitivity and RCO controls, and shows what the transceiver "sees" in the detection pattern.

Alarm transmission and annunciation is accomplished through the use of a small wireless radio alarm transmitter and receiver at distances up to one mile.

Outdoor Volumetric Transceiver for Temporary or Mobile Site Protection

FEATURES:

- ▶ Outdoor Volumetric Microwave Detection to 400 Feet (122m).
- ▶ **Continuously Variable Range Cut-Off (RCO) Circuit** Prevents Alarms from Moving Objects Beyond a Preselected Range.
- ▶ **Zero-Range Suppression (ZRS) Circuit** Reduces Effects of Rain, Vibration and Wind.
- ▶ Heavy Duty Light Weight Tripod for Quick Set-Up.
- ▶ Low Current Drain for Extended Battery Life.



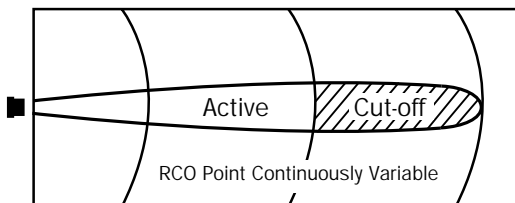
M.I.L. PAC 385

Relocatable Rapid Deployment Microwave Transceiver

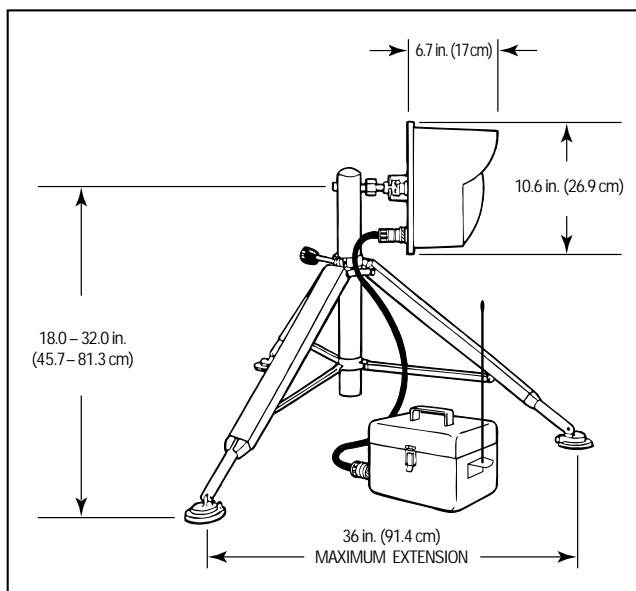
Pattern

M.I.L. PAC 385 provides a detection pattern with a maximum range of 400 feet (122m) and a maximum width of 20 feet (6.1m). Adjustment of the sensitivity control can reduce the pattern to approximately 100 feet (30.5m) in length by 3 feet (0.91m) in width. Horizontal and vertical antenna beamwidth is approximately 4 degrees. These distances are for a mounting height of 3-4 feet (0.91m to 1.22m); other mounting heights will reduce the maximum range. Detection pattern and RCO distances are shown below.

Typical Horizontal Pattern



Dimensions



How to Order

Specify M.I.L. PAC 385 and operating frequency. Order optional accessories by model number and description. Contact factory for recommendations on Radio Alarm Receivers. Specifications subject to change without notice.

Specifications

Equipment supplied Transceiver, MP01 Monitor Pac with 12 VDC Rechargeable Battery, Radio Alarm Transmitter and Antenna Assembly, Interconnecting Cable Assembly, MT10 Tripod, and Fitted Carrying Case.

Detection range Variable from 100 ft. (30.5m) to 400 ft. (122m). Varies somewhat with site reflectivity.

Detection width Varies with range, 3 ft. (0.91m) to 20 ft. (6.1m). Varies somewhat with site reflectivity.

Target size 0.8 sq. meter human walking, running or crawling on hands and knees. 0.2 sq. meter (prone crawling human) or 30 cm metal sphere may be detected at shorter ranges with special site preparation.

Target velocity 0.2 ft/sec to 26 ft/sec (0.06m/sec to 8.0m/sec).

Probability of detection 0.99 minimum on 0.8 sq. meter target, based on equipment S/N ratio.

Self supervision

- 1) Antenna blockage causes constant alarm.
- 2) Remote test checks entire transceiver circuit.
- 3) No loss of detection upon loss of sync.

Range cut-off Targets will not be detected beyond a field-selected range 100 to 400 feet (30.5 to 122m).

Radiated output 32 milliwatts peak at 24.125 GHz (USA).

Spurious emissions Conforms to F.C.C. Regulation Part 15 (USA). F.C.C. Identifier CA6385.

DC input 11.0 to 14.5 VDC, 160 mA nominal multiplex disabled, 220 mA multiplex operational.

Alarm relay contacts SPDT-Form C, 2 amps @28 VDC.

Tamper switch SPDT-Form C, 2 amps @ 28 VDC.

Mounting Locking ball swivel mount. 20° adjustment in any direction. Tripod center post rotates 360°.

LED indicators 1) Power "ON" 2) Alarm 3) SYNC unlock.

Remote monitor External MS connector for connection to MP01 Monitor Pac.

Temperature -30°F to +150°F (-35°C to +66°C).

Weight 45 lbs. (20.5kg), with tripod.

Shipping weight
50 lbs.(22.7kg) total.

